



## Wrightway Products

PO Box 6296, South Lismore, NSW 2480

Phone: 02 6622 7111

Fax: 02 6622 7131

Email: [info@wrightway.com.au](mailto:info@wrightway.com.au)

Web: [www.wrightway.com.au](http://www.wrightway.com.au)



# Lid Lifta®

## Foot Pedal Bins

Stainless-steel foot-pedal securely attached to 60 litre, 80 litre, 120 litre & 240 litre wheelie bins, 35 litre & 50 litre round bins, and 660 litre 4-wheeled industrial bins.



## Wrightway Products

PO Box 6296, South Lismore, NSW 2480

Phone: 02 6622 7111

Fax: 02 6622 7131

Email: [info@wrightway.com.au](mailto:info@wrightway.com.au)

Web: [www.wrightway.com.au](http://www.wrightway.com.au)

Hands-free opening of bin-lids & hands-free closing of bin-lids  
in areas where hygiene and time management is paramount.

### Lid Lifta®



Lid Lifta® was designed specifically for heavy, constant industrial use.  
Lid Lifta® does not interfere with waste collection or bin emptying procedures.



## Wrightway Products

PO Box 6296, South Lismore, NSW 2480

Phone: 02 6622 7111

Fax: 02 6622 7131

Email: [info@wrightway.com.au](mailto:info@wrightway.com.au)

Web: [www.wrightway.com.au](http://www.wrightway.com.au)

Standard sizes – round bins and wheelie bins with or without foot pedals



Other sizes now available with or without foot pedals:  
**60** litre wheelie bin, **660** litre 4-wheeled industrial bin.

Available soon with foot pedals

**1000** litre and **1100** litre 4-wheeled industrial bins **available now without foot pedals**



## Wrightway Products

PO Box 6296, South Lismore, NSW 2480

Phone: 02 6622 7111

Fax: 02 6622 7131

Email: [info@wrightway.com.au](mailto:info@wrightway.com.au)

Web: [www.wrightway.com.au](http://www.wrightway.com.au)

Never touch the lid of a bin again!!!

For 60 litre, 80 litre, 120 litre & 240 litre wheelie bins



Open the lid  
partially

OR

Open the lid fully

Then close the lid  
again using the  
foot pedal





## Wrightway Products

PO Box 6296, South Lismore, NSW 2480

Phone: 02 6622 7111

Fax: 02 6622 7131

Email: [info@wrightway.com.au](mailto:info@wrightway.com.au)

Web: [www.wrightway.com.au](http://www.wrightway.com.au)

Never touch the lid of a bin again!!!

For 50 litre and 35 litre round bins



Open the lid  
partially

OR

Open the lid fully

Then close the lid  
again using the  
foot pedal





## Wrightway Products

PO Box 6296, South Lismore, NSW 2480

Phone: 02 6622 7111

Fax: 02 6622 7131

Email: [info@wrightway.com.au](mailto:info@wrightway.com.au)

Web: [www.wrightway.com.au](http://www.wrightway.com.au)

# 35 & 50 litre bins

with foot pedals – or, without foot pedals

Ideal for limited space under benches,  
for pathological waste, for surgeries, for kitchens, for canteens etc.

- Partially open, use and close in one action without touching the lid.
- Use foot pedal to fully open and leave open for use.
- Use foot pedal to close from fully open position.



Colours:

Nature Green, Yellow, Charcoal, Purple (suitable for cytotoxic waste). Orange lids also available.



## Wrightway Products

PO Box 6296, South Lismore, NSW 2480

Phone: 02 6622 7111

Fax: 02 6622 7131

Email: [info@wrightway.com.au](mailto:info@wrightway.com.au)

Web: [www.wrightway.com.au](http://www.wrightway.com.au)

Purple Bins  
suitable for

# Cytotoxic Waste

Available in:

35 litre round bin

50 litre round bin

120 litre wheelie bin

240 litre wheelie bin



Cytotoxic bins are available with or without Lid Lifta®



## Wrightway Products

PO Box 6296, South Lismore, NSW 2480

Phone: 02 6622 7111

Fax: 02 6622 7131

Email: [info@wrightway.com.au](mailto:info@wrightway.com.au)

Web: [www.wrightway.com.au](http://www.wrightway.com.au)



# The Big Lid Lifta<sup>®</sup>



The Big Lid Lifta<sup>®</sup> is a heavy-duty stainless-steel foot-pedal specifically designed for industrial use. The Big Lid Lifta<sup>®</sup> is available already securely attached to a new 660 litre 4 wheeled mobile bin or as a kit which can be attached to your own bins.



## Wrightway Products

PO Box 6296, South Lismore, NSW 2480

Phone: 02 6622 7111

Fax: 02 6622 7131

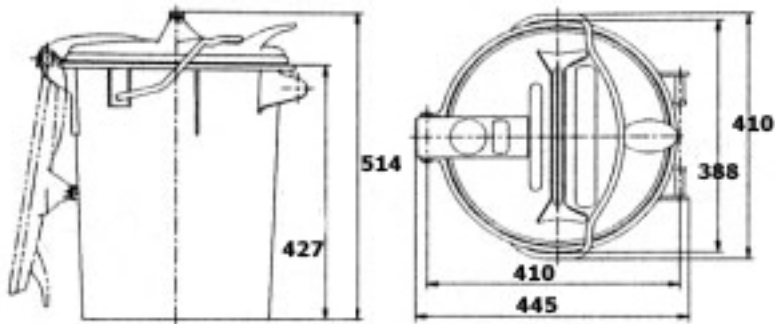
Email: [info@wrightway.com.au](mailto:info@wrightway.com.au)

Web: [www.wrightway.com.au](http://www.wrightway.com.au)

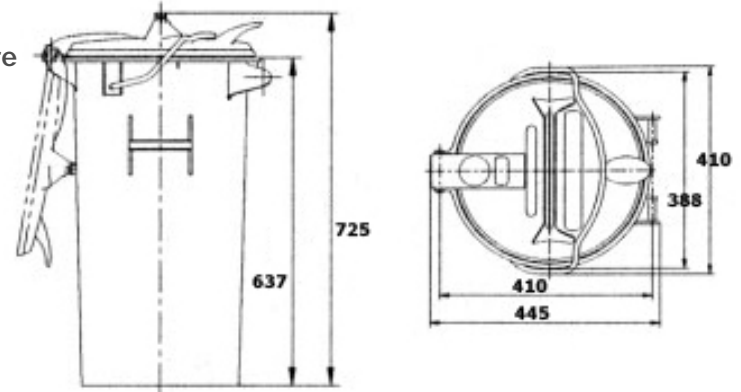
### Dimensions (Dimensions shown are a guide only)

All bins are available with or without Lid Lifta® foot pedal attached

35 Litre

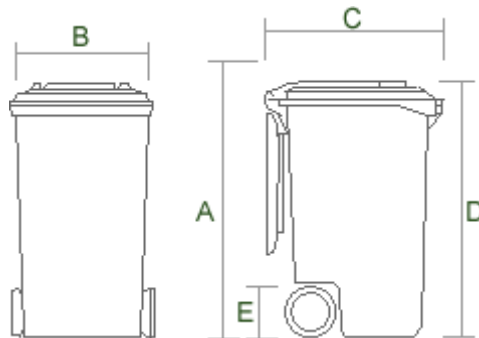


50 Litre



60 Litre

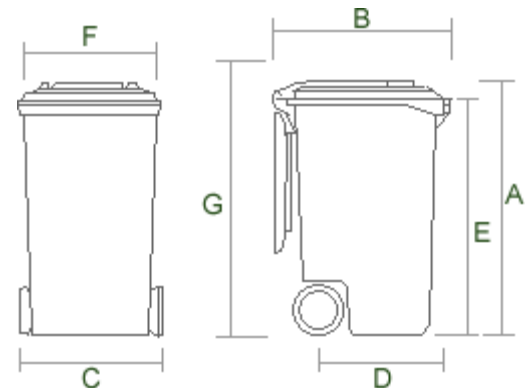
- A = 658mm
- B = 465mm
- C = 534mm
- D = 593mm
- E = 200mm



Weight 8.4Kg

80 Litre

- A = 880mm
- B = 560mm
- C = 470mm
- D = 410mm
- E = 870mm
- F = 360mm
- G = 940mm



Weight 8.2Kg



## Wrightway Products

PO Box 6296, South Lismore, NSW 2480

Phone: 02 6622 7111

Fax: 02 6622 7131

Email: [info@wrightway.com.au](mailto:info@wrightway.com.au)

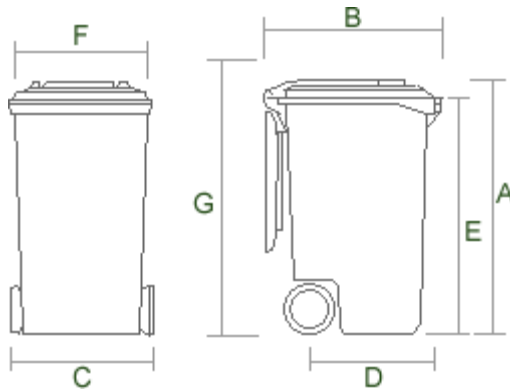
Web: [www.wrightway.com.au](http://www.wrightway.com.au)

### Dimensions (Dimensions shown are a guide only)

All bins are available with or without Lid Lifta® foot pedal attached

#### 120 Litre

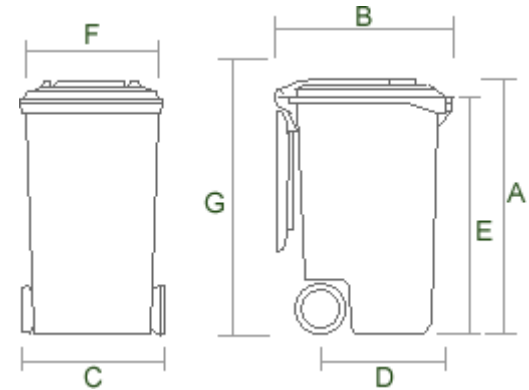
- A = 930mm
- B = 560mm
- C = 480mm
- D = 405mm
- E = 870mm
- F = 440mm
- G = 980mm



Weight 8.2Kg

#### 240 Litre

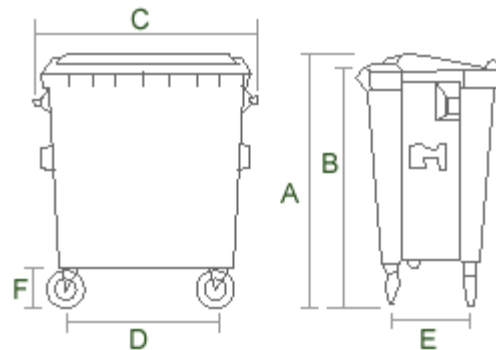
- A = 1070mm
- B = 740mm
- C = 570mm
- D = 535mm
- E = 995mm
- F = 550mm
- G = 1140mm



Weight 15.5Kg

#### 660 Litre

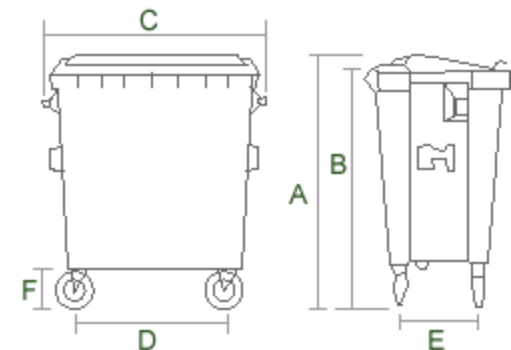
- A = 1215mm
- B = 1135mm
- C = 1340mm
- D = 860mm
- E = 490mm
- F = 200mm



Weight 50.0Kg

#### \*1100 Litre

- A = 1300mm
- B = 1210mm
- C = 1340mm
- D = 860mm
- E = 755mm
- F = 200mm



Weight 60.0Kg

\*1100 litre Lid Lifta® foot pedal will be available mid-late 2008



## Wrightway Products

PO Box 6296, South Lismore, NSW 2480

Phone: 02 6622 7111

Fax: 02 6622 7131

Email: [info@wrightway.com.au](mailto:info@wrightway.com.au)

Web: [www.wrightway.com.au](http://www.wrightway.com.au)

## Bin Colours

(NA = Colour is Not Available in this bin size. Other colours may be available. Contact us to check.)

\* 60 Litre bin – Check for availability

Bin Size	Round Bins		Wheelie Bins				Industrial Bins	
	35 Litre	50 Litre	*60 Litre	80 Litre	120 Litre	240 Litre	660 Litre	1100 Litre
Nature Green								
Yellow								
Charcoal								NA
Purple			NA	NA			NA	NA
Blue	NA	NA						
Red	NA	NA						NA
Dark Green	NA	NA	NA				NA	NA
Food Grade	NA	NA	NA				NA	NA
Burgandy	NA	NA	NA	NA			NA	NA
Light Grey	NA	NA		NA	NA	NA	NA	NA
Brown	NA	NA	NA					NA
Orange	Lid Only	Lid Only	NA	NA			NA	NA
Lilac	NA	NA	NA	NA		NA	NA	NA

Food Grade bins are suitable for containment of food/ingredients.

Food Grade bins do not contain UV protection and are NOT SUITABLE for use in sunlit areas.

NOTE: Colours shown are an indication only.



## Wrightway Products

PO Box 6296, South Lismore, NSW 2480

Phone: 02 6622 7111

Fax: 02 6622 7131

Email: [info@wrightway.com.au](mailto:info@wrightway.com.au)

Web: [www.wrightway.com.au](http://www.wrightway.com.au)

# Wrightway Products

For any further information about any of our products  
or to talk about any specific requirements you may have,

please call us on:

**02 66 227 111**

or email us at:

**[info@wrightway.com.au](mailto:info@wrightway.com.au)**

or visit the website at:

**[www.wrightway.com.au](http://www.wrightway.com.au)**