



Wrightway Products

PO Box 6296, South Lismore, NSW 2480

Phone: 02 6622 7111

Fax: 02 6622 7131

Email: info@wrightway.com.au

Web: www.wrightway.com.au

Colours shown in the chart below vary according to the settings on individual computers and are not true representations of the actual bin colours.

Bin Size	Round Bins		Wheelie Bins				Industrial Bins	
	35 Litre	50 Litre	60 Litre	80 Litre	120 Litre	240 Litre	660 Litre	1100 Litre
Nature Green								
Yellow								
Charcoal								NA
Purple			NA	NA			NA	NA
Blue	NA	NA						
Red	NA	NA						NA
Dark Green	NA	NA	NA				NA	NA
Food Grade	NA	NA	NA	Indoor use only. No UV inhibitor.			NA	NA
Burgandy	NA	NA	NA	NA			NA	NA
Light Grey	NA	NA		NA	NA	NA	NA	NA
Brown	NA	NA	NA					NA
Orange	Lid Only	Lid Only	NA	NA			NA	NA
Lilac	NA	NA	NA	NA		NA	NA	NA

NA = Not Available.

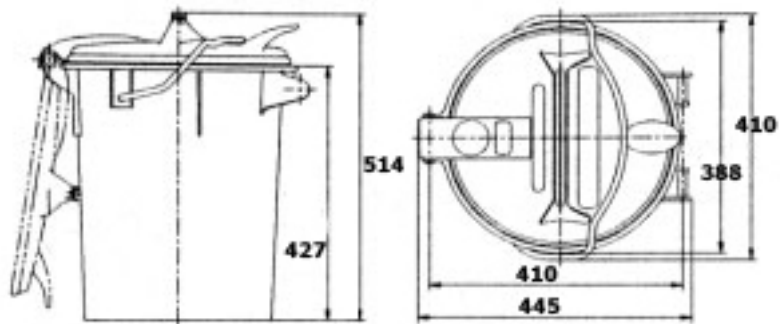
Other Colours available: White, Orange, High Gloss Black.
If you do require a certain colour, please enquire – we may be able to get it for you.

Dimensions (Dimensions shown are a guide only)

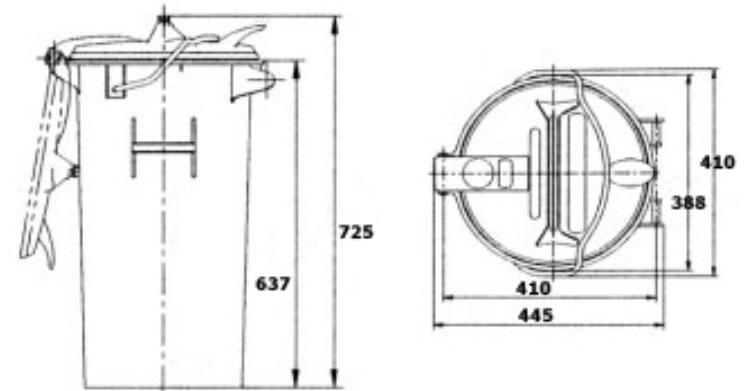
All bins are available with or without Lid Lifta® foot pedal attached

1100 litre Lid Lifta® foot pedal will be available mid-late 2008

35 Litre



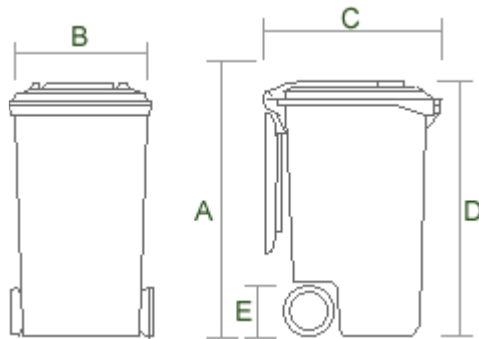
50 Litre



60 Litre

- **A** = 658mm
- **B** = 465mm
- **C** = 534mm
- **D** = 593mm
- **E** = 200mm

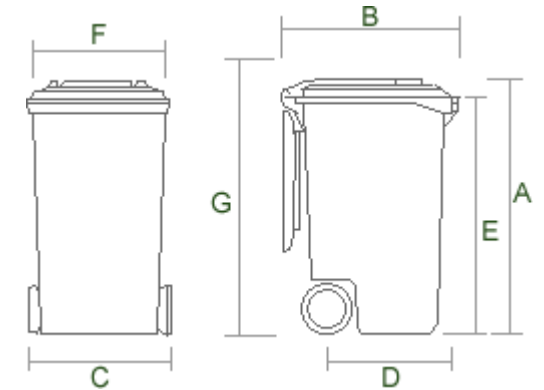
Weight 8.4Kg



80 Litre

- **A** = 880mm
- **B** = 560mm
- **C** = 470mm
- **D** = 410mm
- **E** = 870mm
- **F** = 360mm
- **G** = 940mm

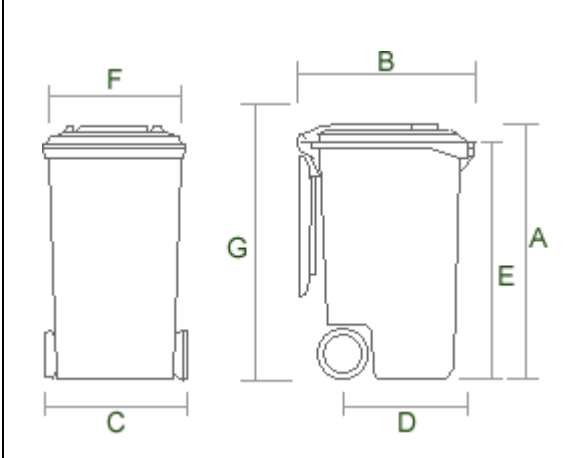
Weight 8.2Kg



120 Litre

- **A** = 930mm
- **B** = 560mm
- **C** = 480mm
- **D** = 405mm
- **E** = 870mm
- **F** = 440mm
- **G** = 980mm

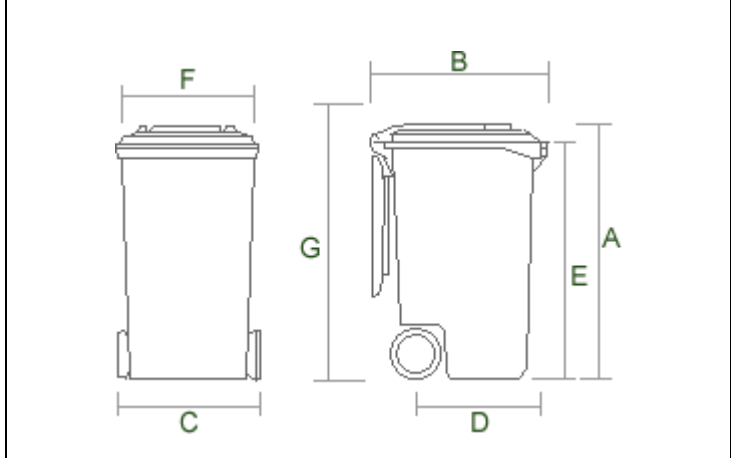
Weight 8.2Kg



240 Litre

- **A** = 1070mm
- **B** = 740mm
- **C** = 570mm
- **D** = 535mm
- **E** = 995mm
- **F** = 550mm
- **G** = 1140mm

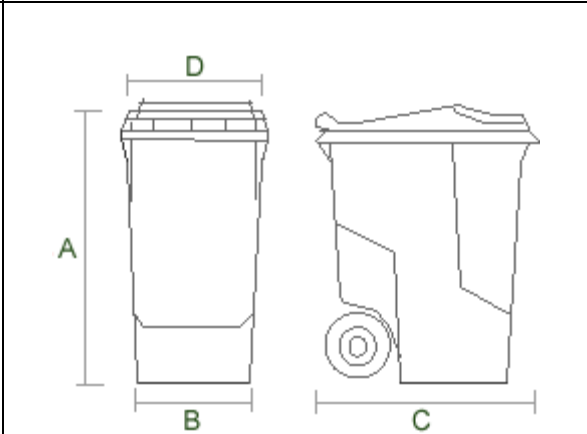
Weight 15.5Kg



360 Litre

- **A** = 1100mm
- **B** = 626mm
- **C** = 850mm
- **D** = 620mm
- **E** = 200mm

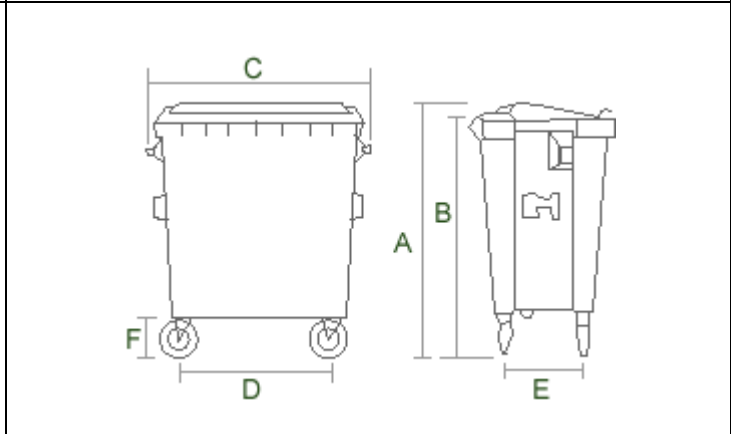
Weight 24Kg



660 Litre

- **A** = 1215mm
- **B** = 1135mm
- **C** = 1340mm
- **D** = 860mm
- **E** = 490mm
- **F** = 200mm

Weight 50.0Kg



1100 Litre

- **A** = 1300mm
- **B** = 1210mm
- **C** = 1340mm
- **D** = 860mm
- **E** = 755mm
- **F** = 200mm

Weight 60.0Kg)

