



Wrightway Products

PO Box 6296, South Lismore, NSW 2480

Phone: 02 6622 7111

Fax: 02 6622 7131

Email: info@wrightway.com.au

Web: www.wrightway.com.au

Colours shown in the chart below vary according to the settings on individual computers and are not true representations of the actual bin colours.

| Bin Size | Round Bins | | Wheelie Bins | | | | Industrial Bins | |
|--------------|------------|----------|--------------|-----------------------------------|-----------|-----------|-----------------|------------|
| | 35 Litre | 50 Litre | 60 Litre | 80 Litre | 120 Litre | 240 Litre | 660 Litre | 1100 Litre |
| Nature Green | | | | | | | | |
| Yellow | | | | | | | | |
| Charcoal | | | NA | | | | | NA |
| Purple | | | NA | NA | | | NA | NA |
| Blue | NA | NA | | | | | | |
| Red | NA | NA | | | | | | NA |
| Dark Green | NA | NA | NA | | | | NA | NA |
| Food Grade | NA | NA | NA | Indoor use only. No UV inhibitor. | | | NA | NA |
| Burgandy | NA | NA | NA | NA | | | NA | NA |
| Light Grey | NA | NA | | NA | NA | NA | NA | NA |
| Brown | NA | NA | NA | | | | | NA |
| Orange | Lid Only | Lid Only | NA | NA | | | NA | NA |
| Lilac | NA | NA | NA | NA | | NA | NA | NA |

NA = Not Available.

Other colours which may be available – please check with us before ordering: White, Orange, High Gloss Black.

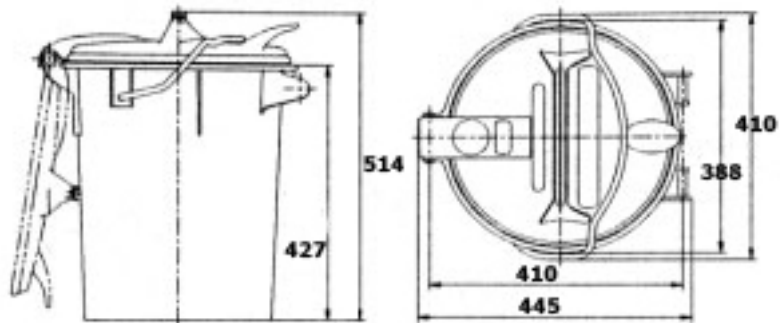
If you do require a certain colour, please enquire – we may be able to get it for you.

Dimensions (Dimensions shown are a guide only)

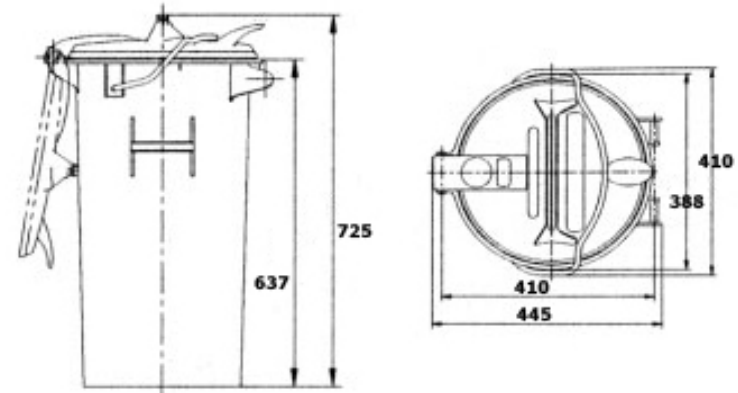
All bins are available with or without Lid Lifta® foot pedal attached

1100 litre Lid Lifta® foot pedal will be available mid-late 2009

35 Litre



50 Litre

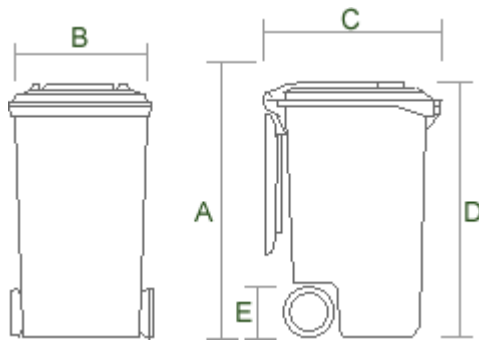


490mm wide including handles

60 Litre

- **A** = 658mm
- **B** = 465mm
- **C** = 534mm
- **D** = 593mm
- **E** = 200mm

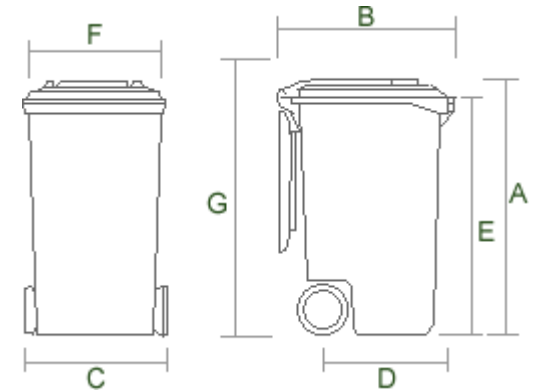
Weight 8.4Kg



80 Litre

- **A** = 880mm
- **B** = 560mm
- **C** = 470mm
- **D** = 410mm
- **E** = 870mm
- **F** = 360mm
- **G** = 940mm

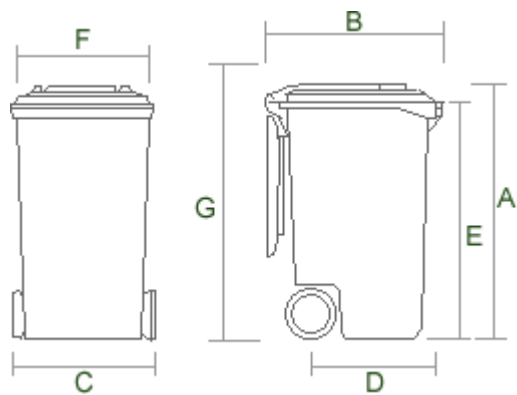
Weight 8.2Kg



120 Litre

- **A** = 930mm
- **B** = 560mm
- **C** = 480mm
- **D** = 405mm
- **E** = 870mm
- **F** = 440mm
- **G** = 980mm

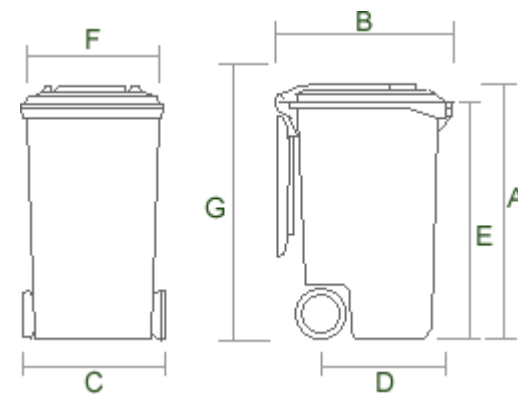
Weight 8.2Kg



240 Litre

- **A** = 1070mm
- **B** = 740mm
- **C** = 570mm
- **D** = 535mm
- **E** = 995mm
- **F** = 550mm
- **G** = 1140mm

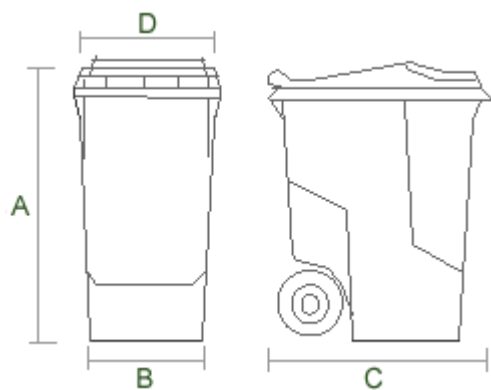
Weight 15.5Kg



360 Litre

- **A** = 1100mm
- **B** = 626mm
- **C** = 850mm
- **D** = 620mm
- **E** = 200mm

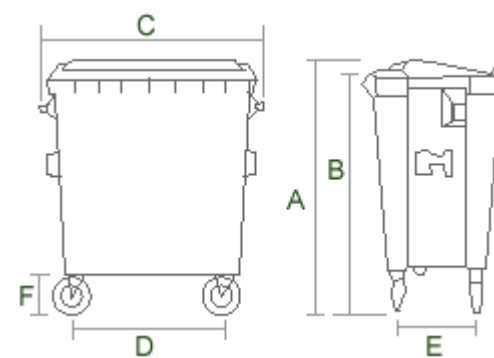
Weight 24Kg



660 Litre

- **A** = 1215mm
- **B** = 1135mm
- **C** = 1340mm
- **D** = 860mm
- **E** = 490mm
- **F** = 200mm

Weight 50.0Kg



1100 Litre

- **A** = 1300mm
- **B** = 1210mm
- **C** = 1340mm
- **D** = 860mm
- **E** = 755mm
- **F** = 200mm

Weight 60.0Kg)

